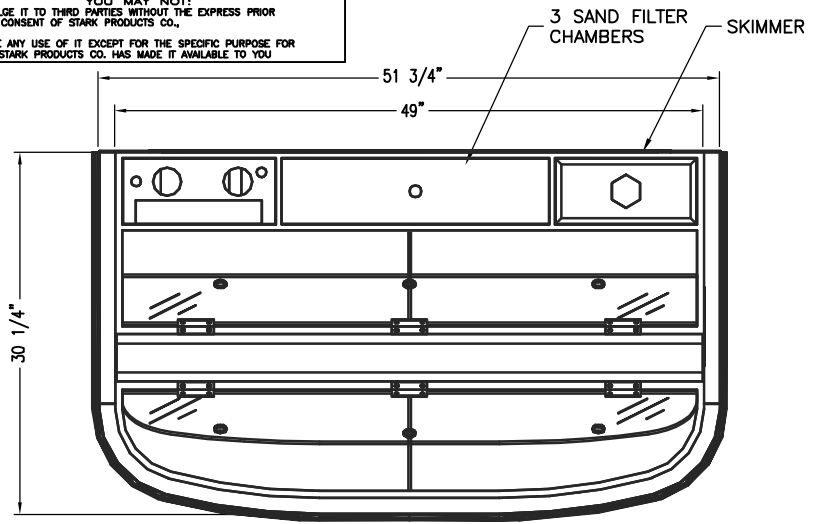
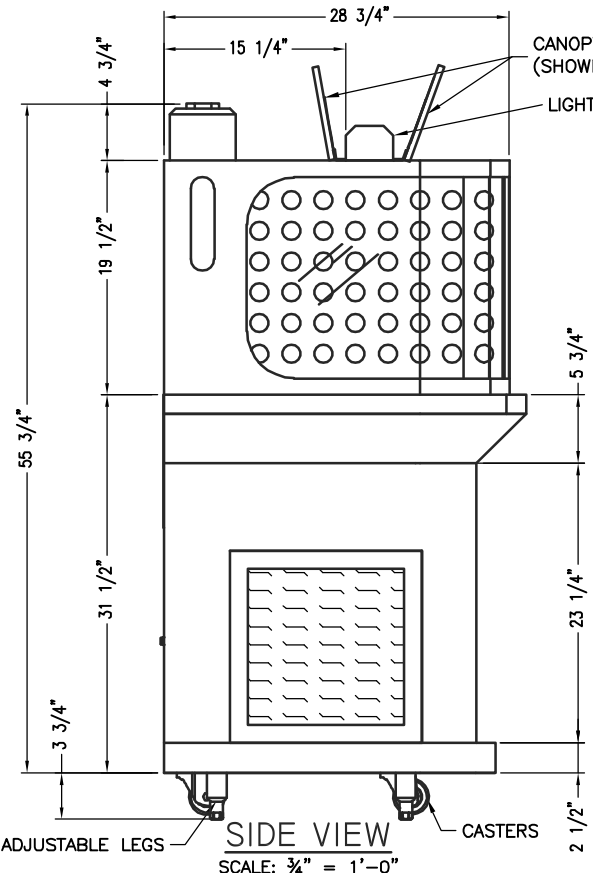


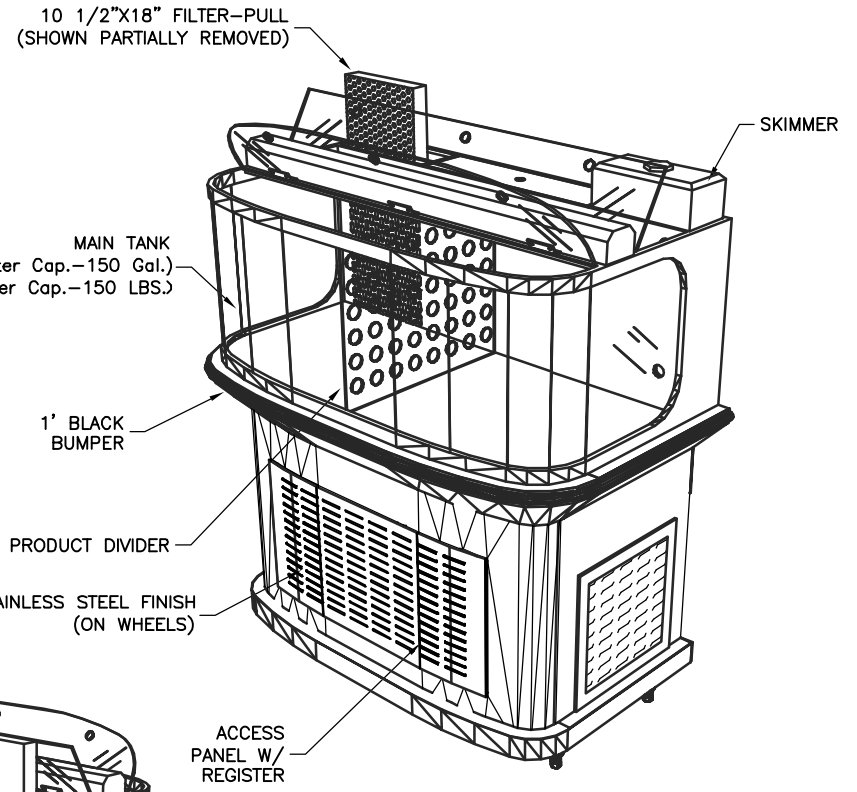
STARK PRODUCTS COMPANY CONFIDENTIAL AND PROPRIETARY INFORMATION
 THIS DRAWING CONTAINS CONFIDENTIAL AND PROPRIETARY INFORMATION YOU MAY NOT:
 1.) DIVULGE IT TO THIRD PARTIES WITHOUT THE EXPRESS PRIOR WRITTEN CONSENT OF STARK PRODUCTS CO., OR
 2.) MAKE ANY USE OF IT EXCEPT FOR THE SPECIFIC PURPOSE FOR WHICH STARK PRODUCTS CO. HAS MADE IT AVAILABLE TO YOU



TOP VIEW
 SCALE: 3/4" = 1'-0"



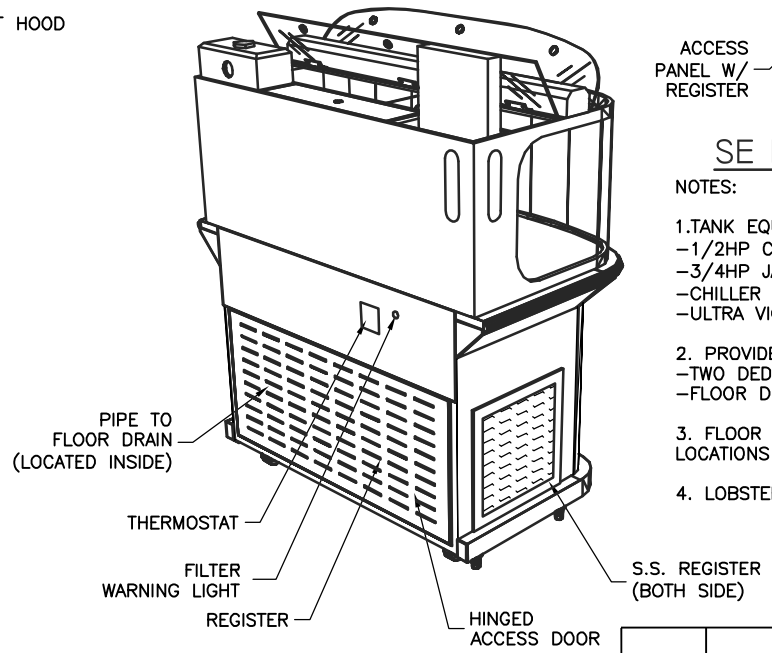
SIDE VIEW
 SCALE: 3/4" = 1'-0"



SE FRONT VIEW

NOTES:

- TANK EQUIPPED WITH:
 -1/2HP COMPRESSOR WITH R-22 REFRIGERANT ,
 -3/4HP JACUZZI PUMP,
 -CHILLER BARREL W/TITANIUM COIL ,
 -ULTRA VIOLET STERILIZER
- PROVIDE:
 -TWO DEDICATED LINES 120V,20A,60HZ.
 -FLOOR DRAIN.
- FLOOR DRAIN AND ELECTRICAL OUTLET LOCATIONS TO BE CONFIRMED BY CUSTOMER.
- LOBSTER CAPACITY 150 LBS



NW REAR VIEW
 NO SCALE

X _____
 APPROVED

		DATE	STARK PRODUCTS CO., INC.		
DRAWN	A.W.	11.20.06	29-14 122 ST. COLLEGE POINT QUEENS NY 11354		
REVISED	A.W.	01.09.07	SLS-150 MILLENNIUM		
JOB.No.	TYPICAL				
DWG. No.	S701		SIZE	CUSTOMER'S NAME:	SHT. OF REV.
SCALE	AS SHOWN		A	STARK PRODUCTS	1 1 1