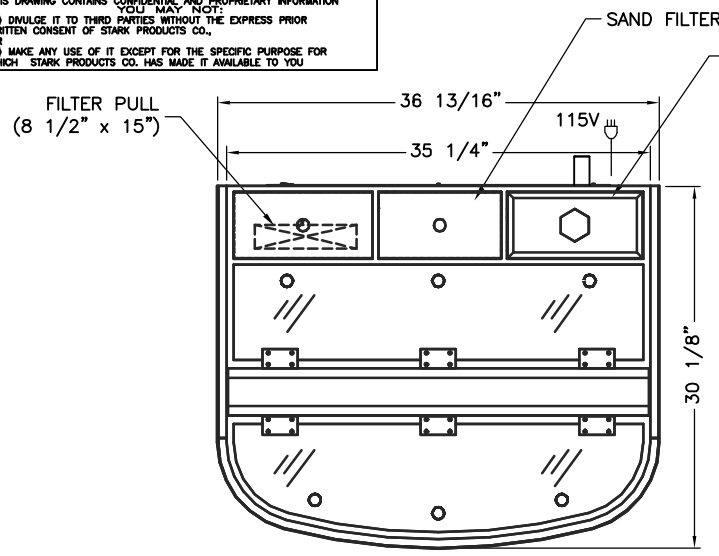


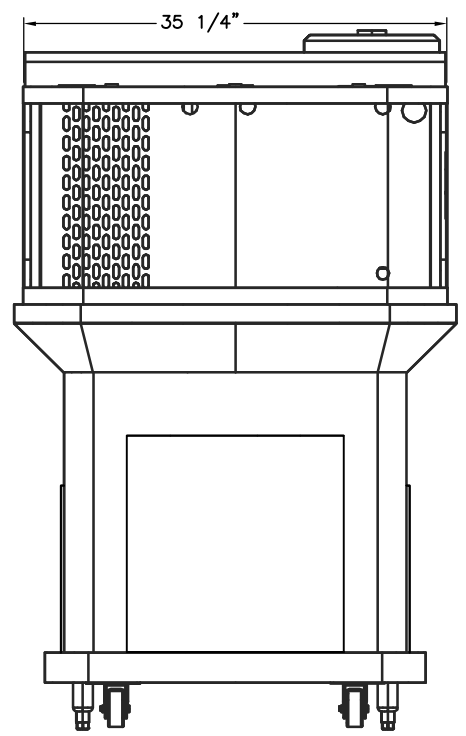
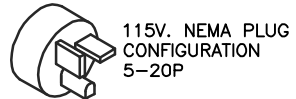
STARK PRODUCTS COMPANY CONFIDENTIAL AND PROPRIETARY INFORMATION
 THIS DRAWING CONTAINS CONFIDENTIAL AND PROPRIETARY INFORMATION
 YOU MAY NOT:
 1.) DIVULGE IT TO THIRD PARTIES WITHOUT THE EXPRESS PRIOR
 WRITTEN CONSENT OF STARK PRODUCTS CO.,
 OR
 2.) MAKE ANY USE OF IT EXCEPT FOR THE SPECIFIC PURPOSE FOR
 WHICH STARK PRODUCTS CO. HAS MADE IT AVAILABLE TO YOU



TOP VIEW

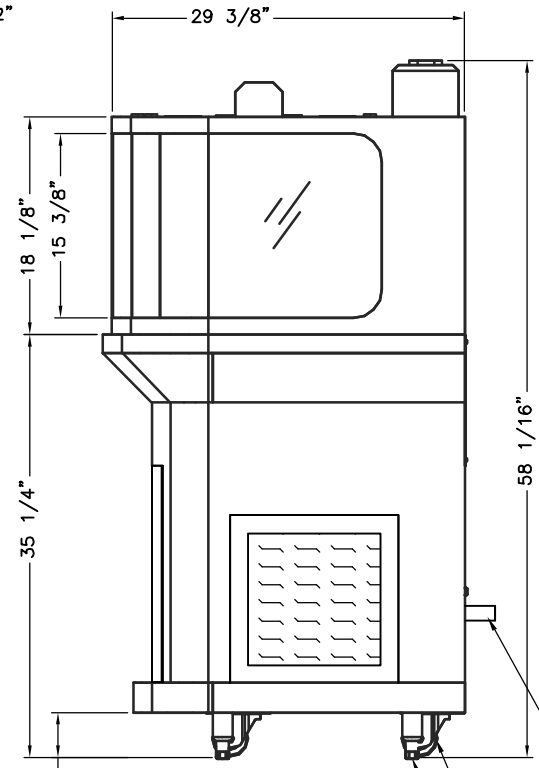
NOTES:

1. TANK EQUIPPED WITH:
 -1/3HP COMPRESSOR WITH R-22 REFRIGERANT.
 -1/2HP JACUZZI PUMP.
 -ULTRA VIOLET STERILIZER.
 -CHILLER BARREL W/TITANIUM COIL.
2. PROVIDE:
 -ONE DEDICATED LINE 115V,20A,60HZ.,
 -FLOOR DRAIN.
3. TANK FILTRATION SYSTEM USES:
 - ONE 8 1/2"x15" FILTER PULL
 - 32 LBS. TOTAL SAND
4. FLOOR DRAIN AND ELECTRICAL OUTLET LOCATION
 TO BE CONFIRM BY CUSTOMER.



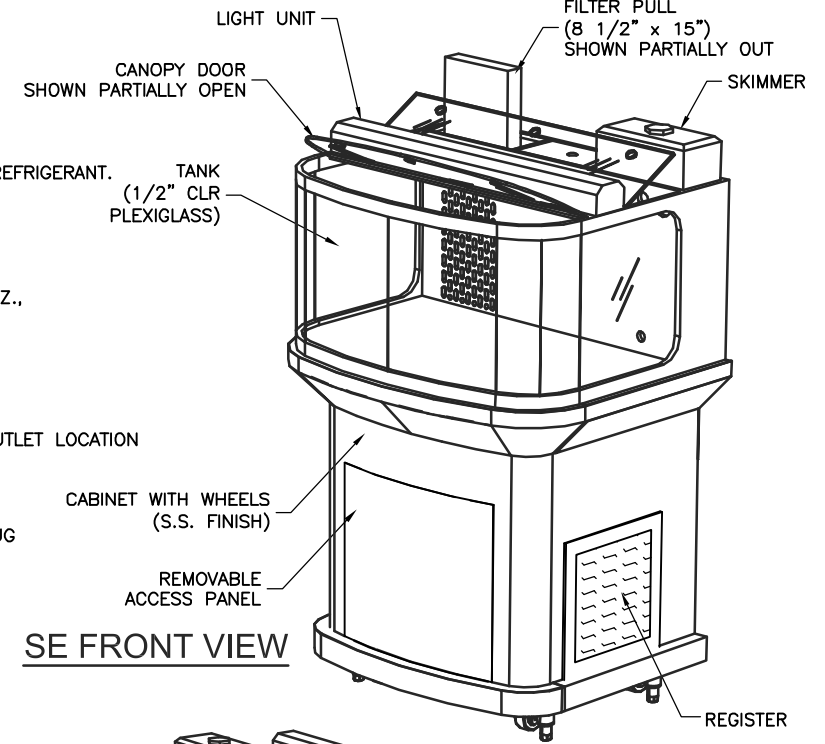
FRONT VIEW

3/4"=12"

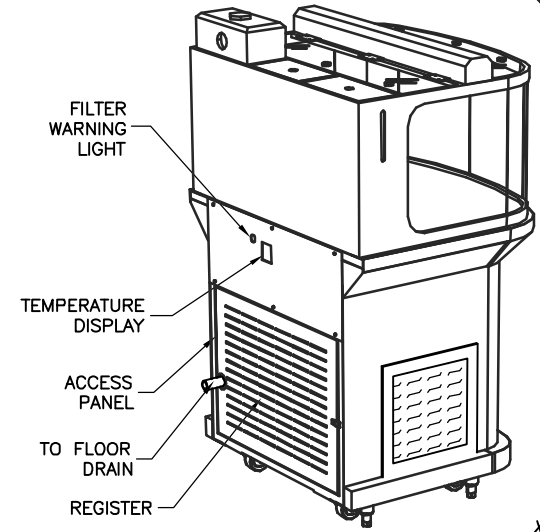


SIDE VIEW

3/4"=12"



SE FRONT VIEW



NW REAR VIEW

X _____ APPROVED

WHEELS
ADJUSTABLE LEGS

		DATE	STARK PRODUCTS CO., INC.				
DRAWN	A.W.	01.18.07	29-14 122 ST. COLLEGE POINT QUEENS NY 11354				
REVISED			TITLE				
JOB.No.	TYPICAL		SLS100 MILLENNIUM				
DWG. No.	S763		SIZE	CUSTOMER'S NAME:	SHT.	OF	REV.
SCALE	AS SHOWN		A	STARK PRODUCTS	1	1	